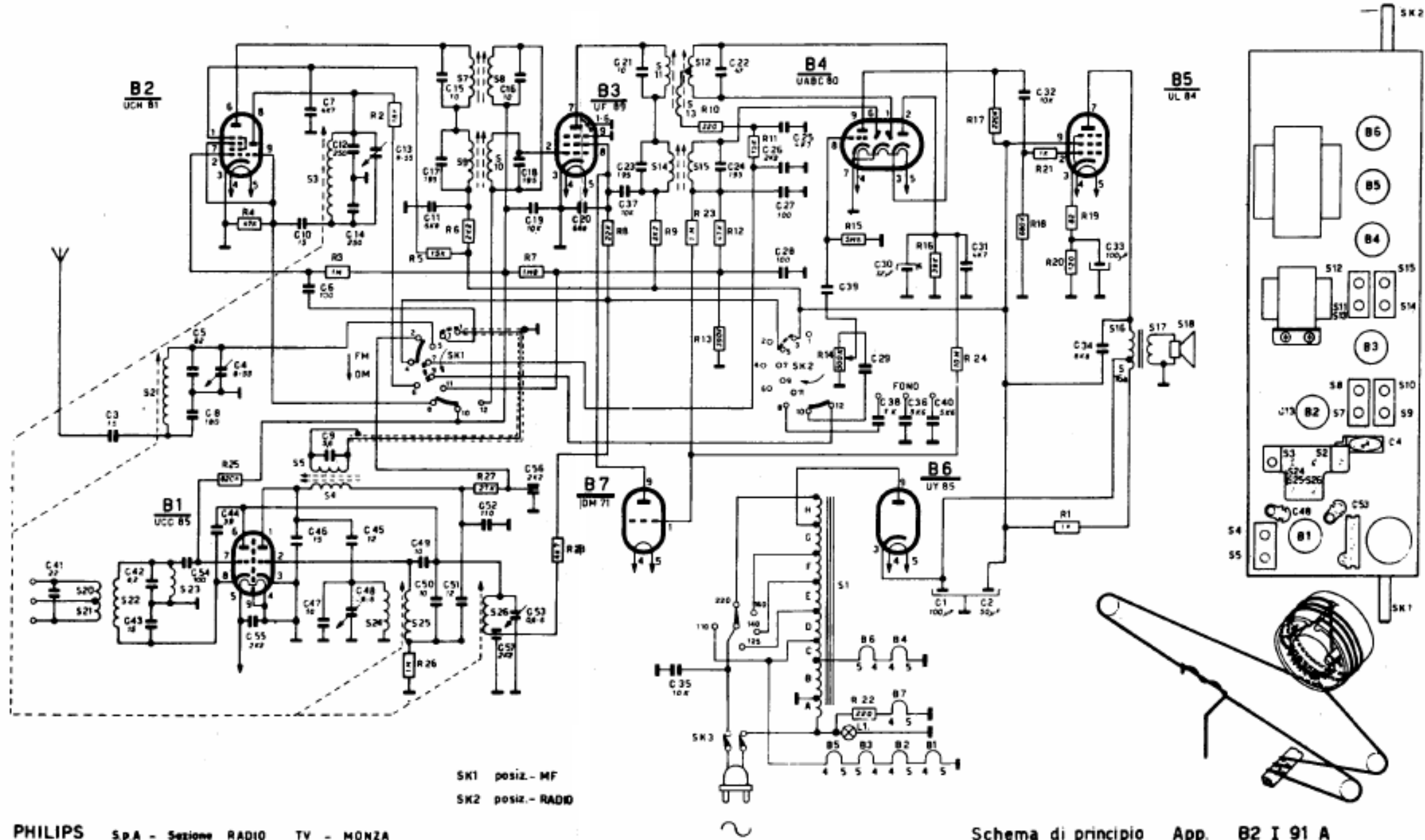


S: 20-21-22-23- 5 4 3-24 25 7 9 8-10 26- 11 14 13 12 15 1 16-17-18
 G: 41 3-42-43 54 5-8-4-44-55 46-10 7 6 47 9 12 14 45 48 13 49 11 17 15 50 51 52 16 18 56 19-20 57 53 23 37 21 35 22 24 25 26-27 28 29 39 36 35 30 4-31 2-32-40 33-34
 R: 25-4- 3 -2 26 5 6-27 7 28- 8 9-10 23 12 13 11-14 -15 22 -16 1-24 17-18 -21-20 19



PHILIPS S.p.A - Sezione RADIO TV - MONZA

Schema di principio App. B2 I 91 A

PHILIPS - Mod. DAVID.